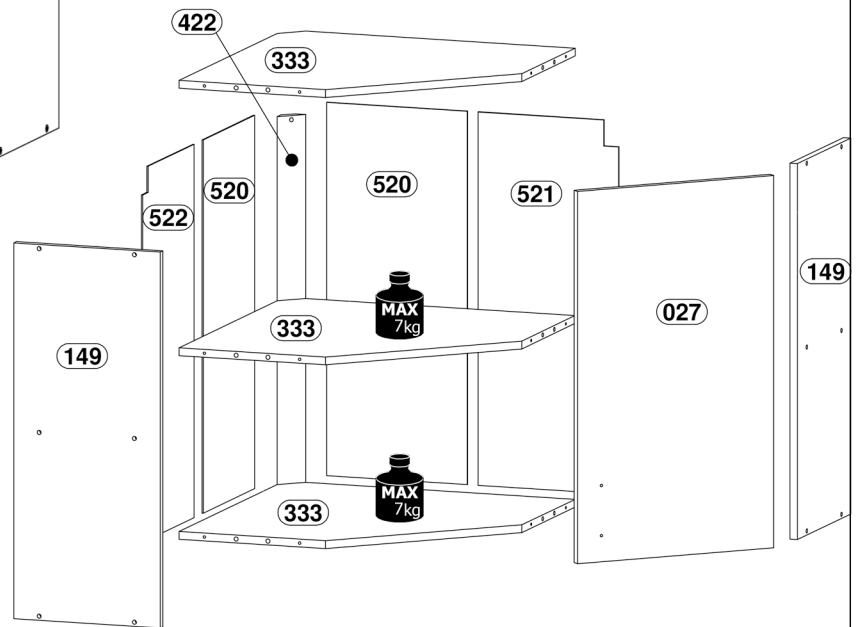
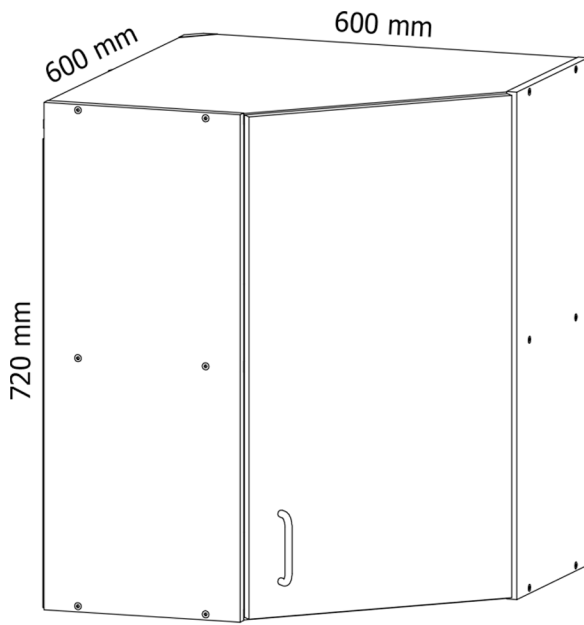
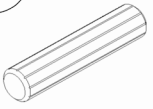
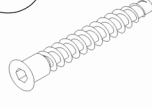
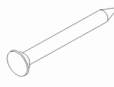
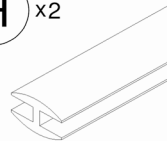


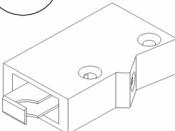
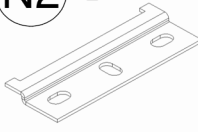



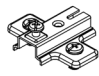
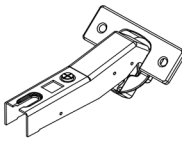


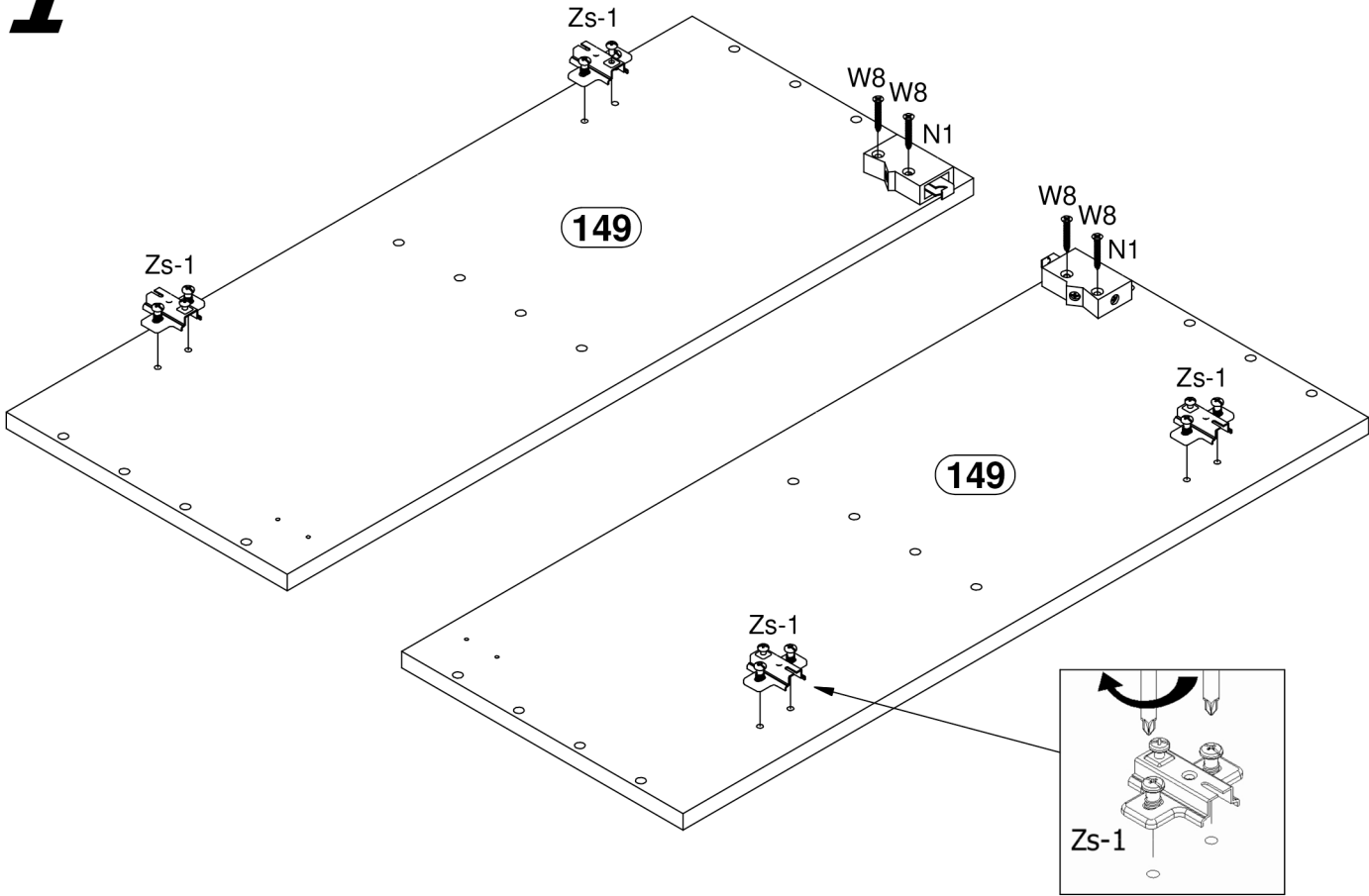
# K02-G60N

# W60X60/72 NAR

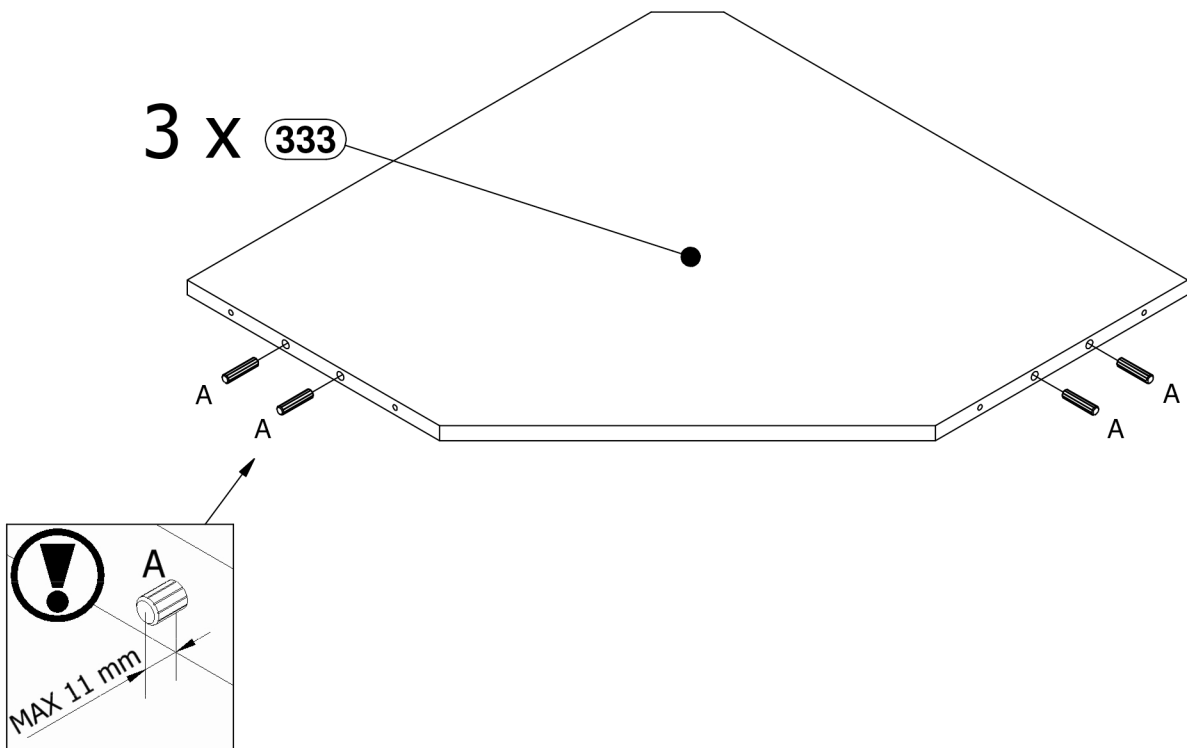


<p><b>A</b> x12</p>  <p>Ø8x35mm</p>	<p><b>D</b> x15</p>  <p>Ø6,4x50 mm</p>	<p><b>G</b> x60</p> 	<p><b>H</b> x2</p>  <p>715 mm</p>
<p><b>KL</b> x1</p> 	<p><b>M</b> x1</p> 	<p><b>N1</b> x2</p> 	<p><b>N2</b> x2</p> 
<p><b>W2</b> x4</p>  <p>Ø3,5x16mm</p>	<p><b>W8</b> x4</p>  <p>Ø4x30mm</p>	<p><b>Y2</b> x15</p> 	
<p><b>Zs</b> x2</p>  <p>Zs-1</p>	 <p>Zs-2</p>		

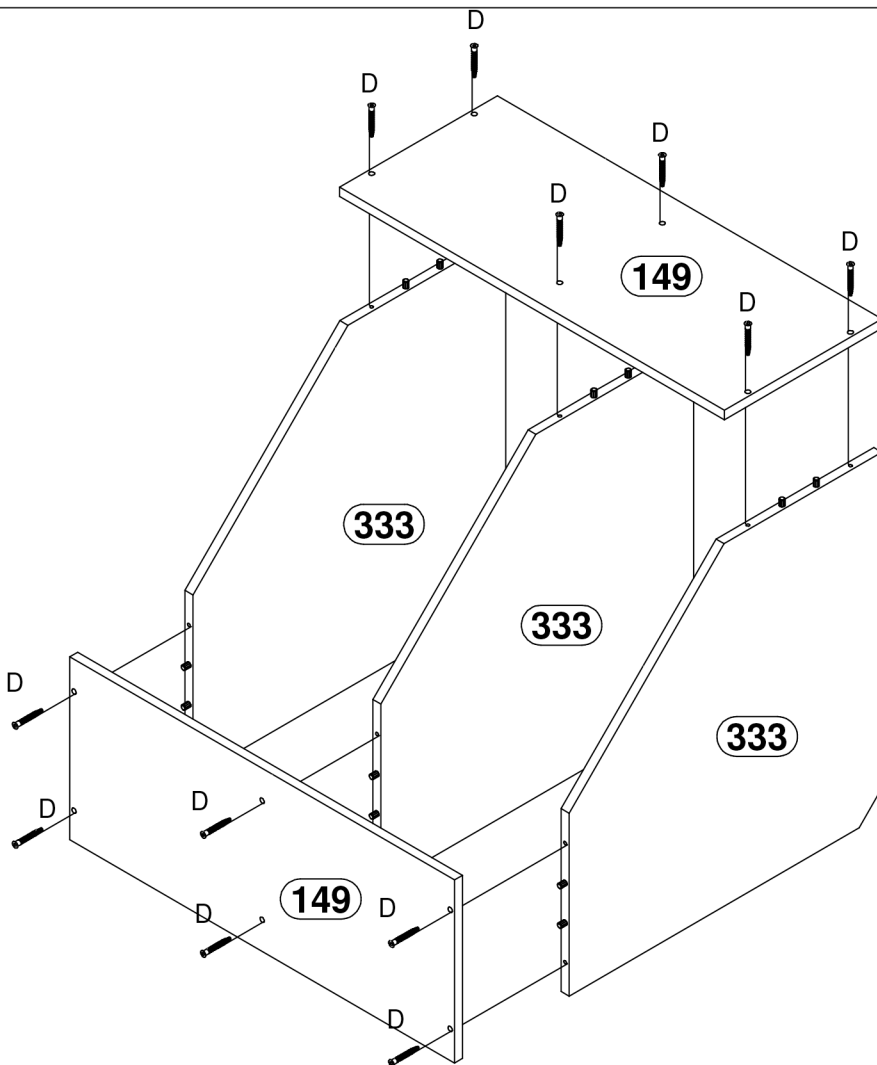
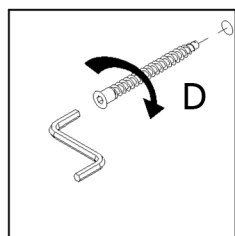
# 1



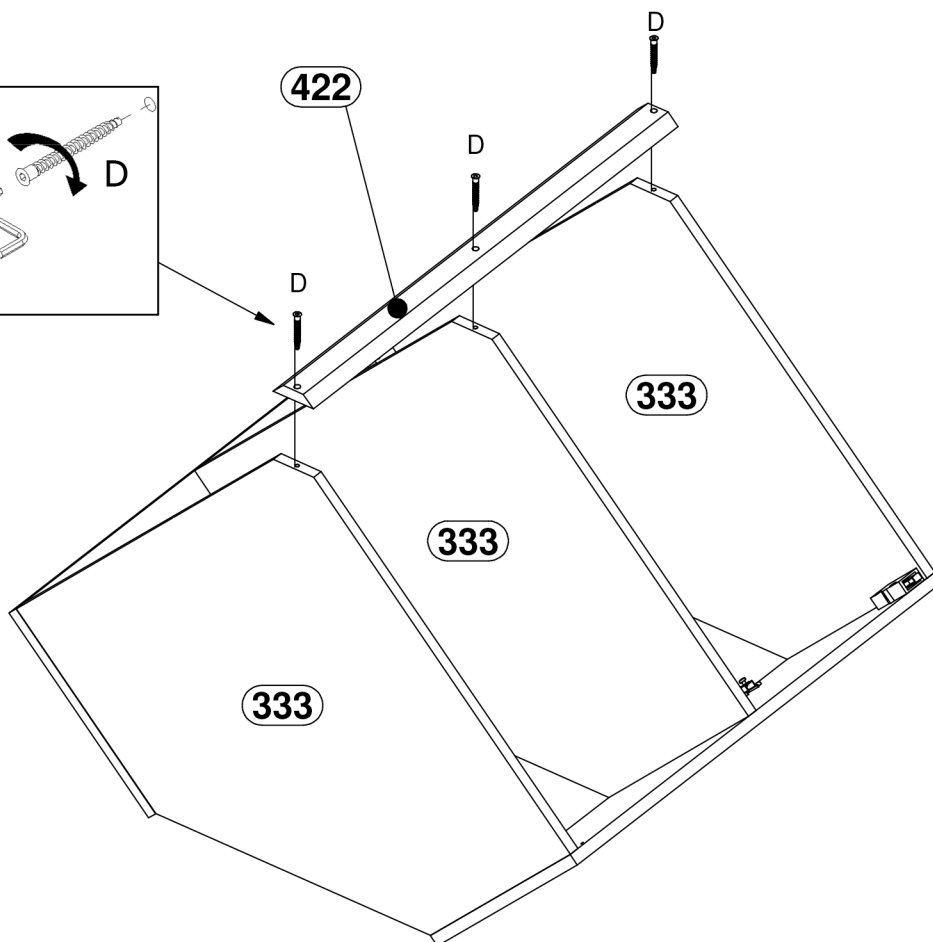
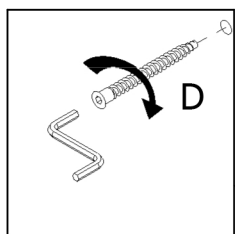
# 2



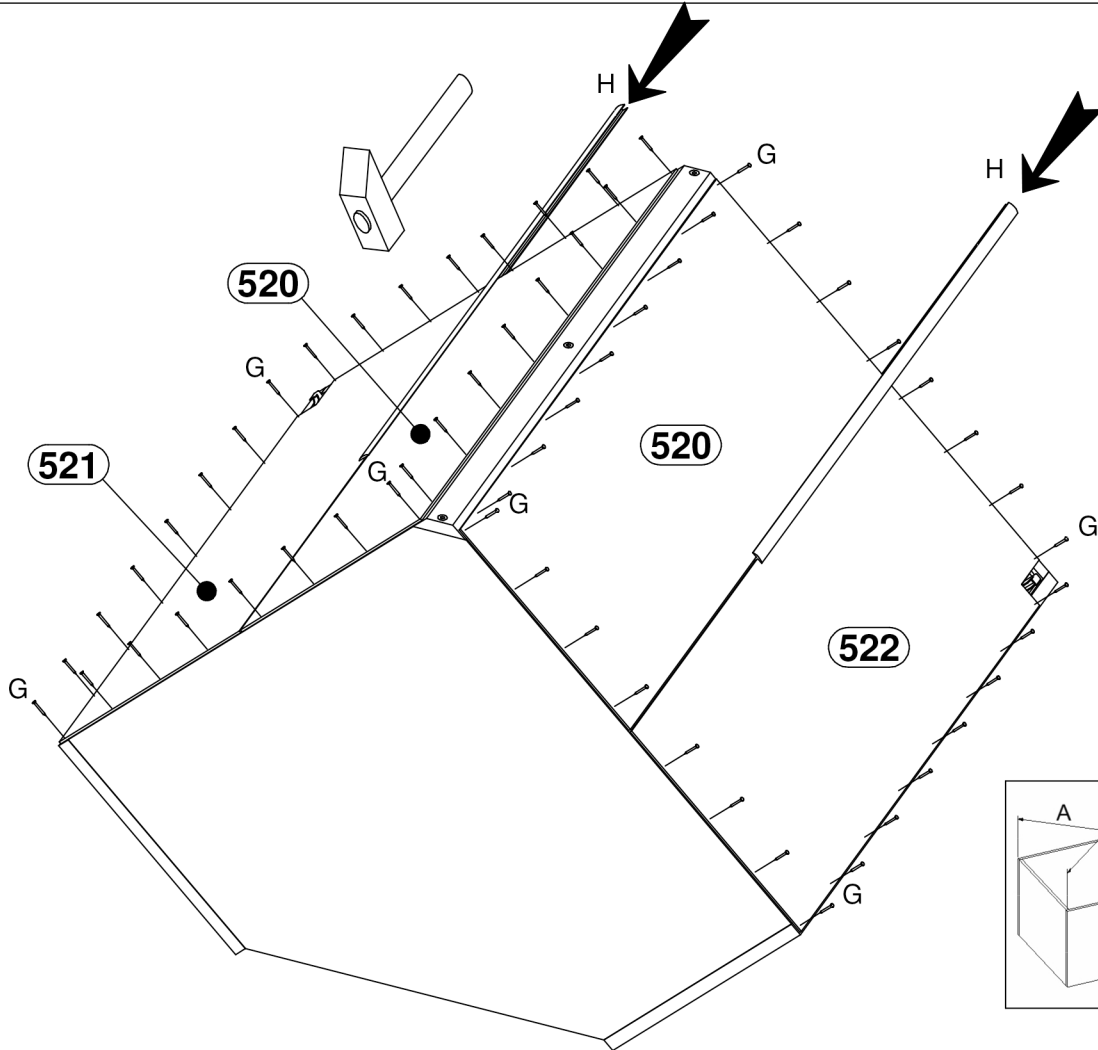
# 3



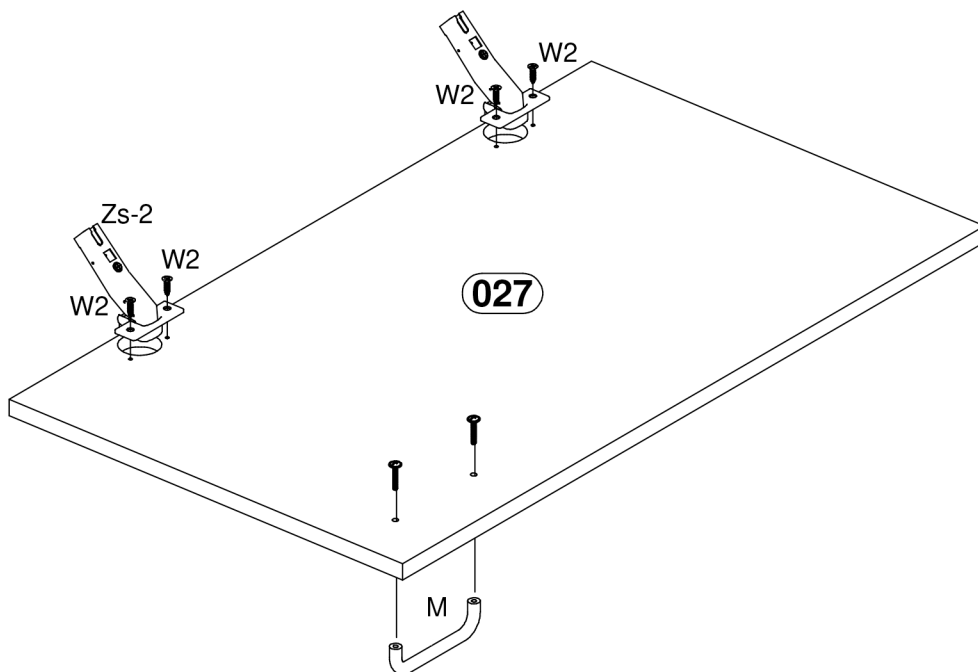
# 4



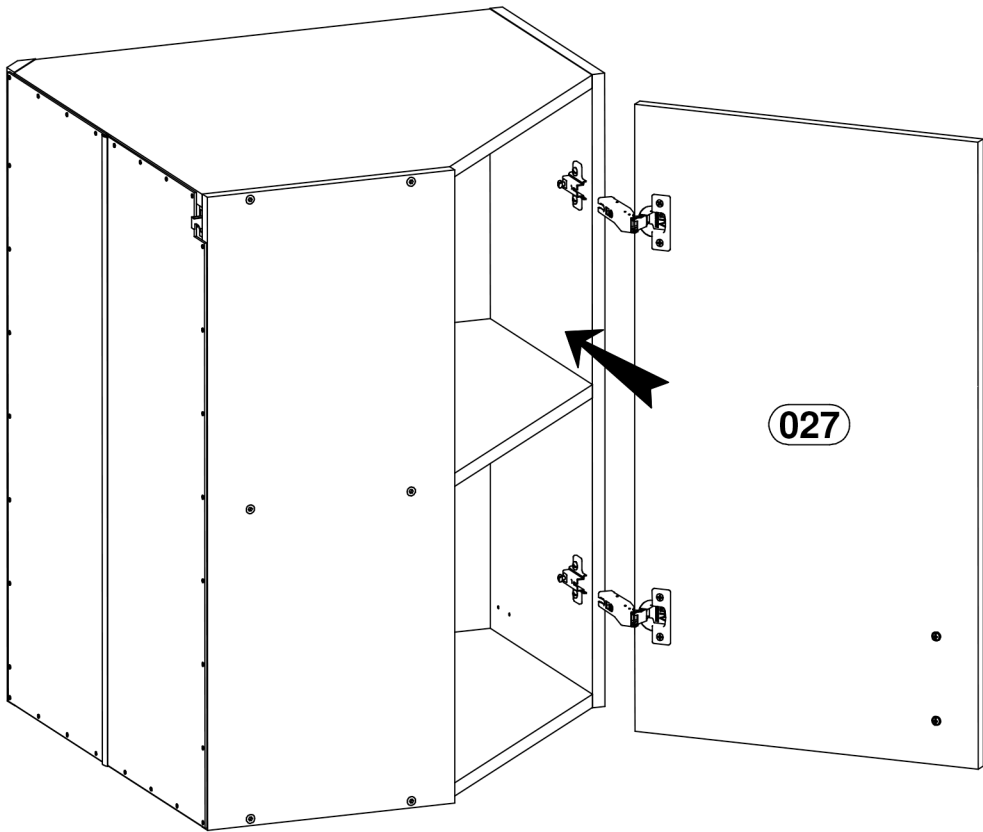
# 5



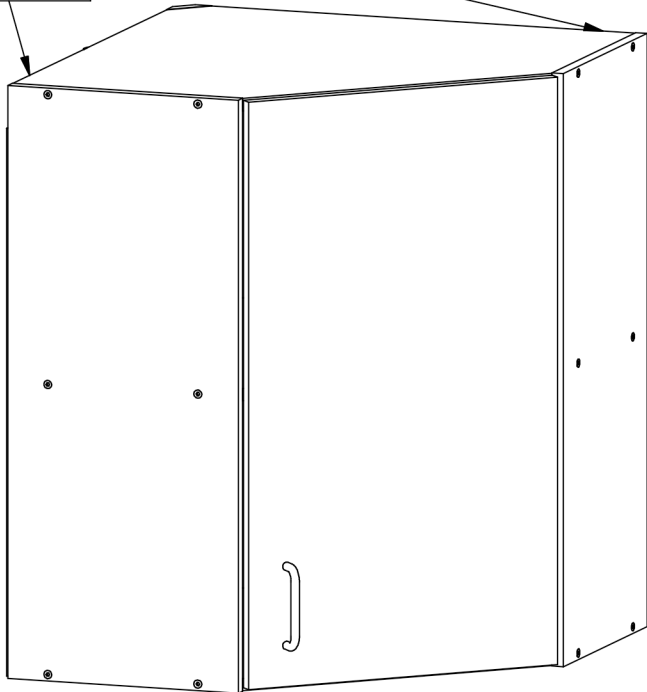
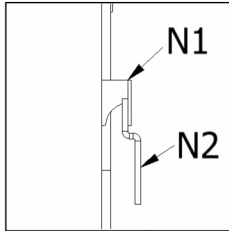
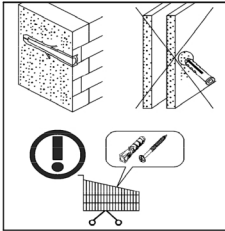
# 6



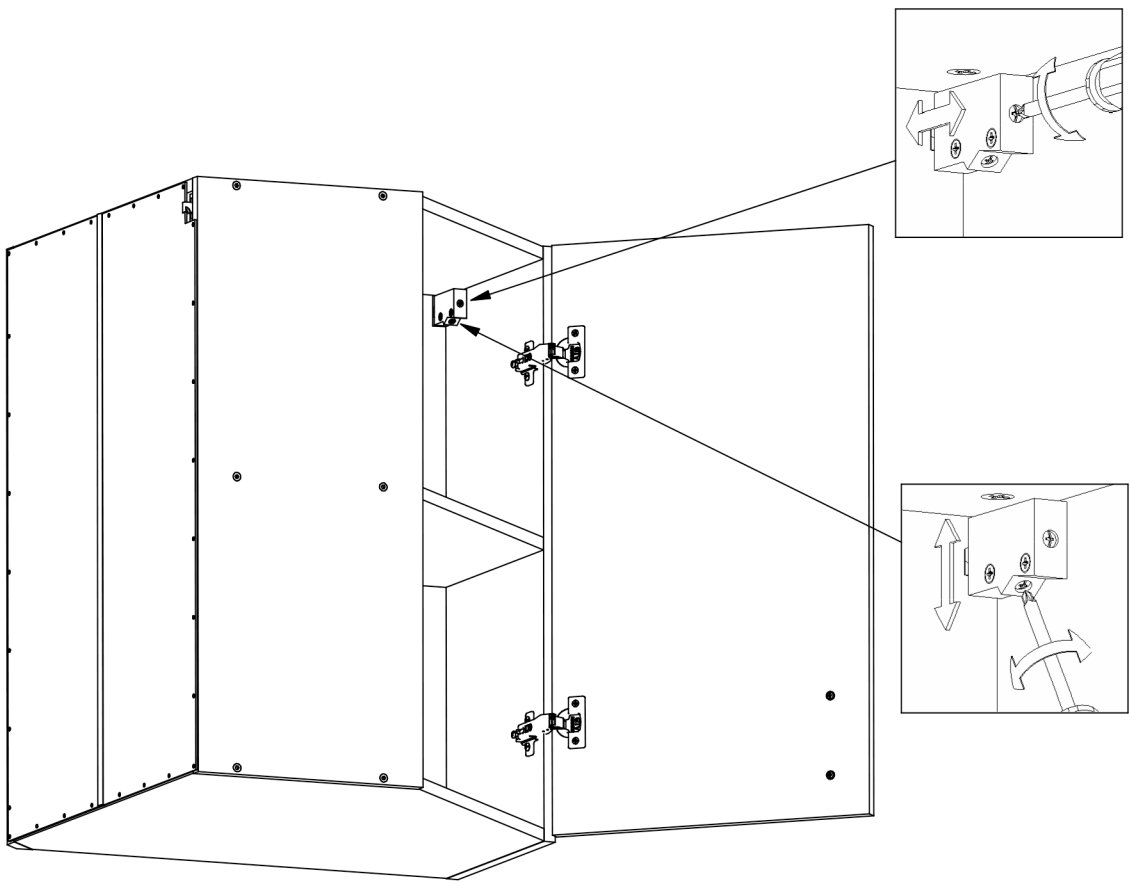
7



8



# 9



# 10

